



CMFX35 XTREME DUTY • 7YR LED SPEC-SELECT™ FLOOD LIGHT

FEATURES

- Adjustable wattage and color temperature.
- Integrated photocell with On/Off switch.
- Corrosion resistant die cast housing, with a powder paint coat finish.
- Compact design.
- Fixture angle can be easily adjusted.

APPLICATION

Ideal for wall washing, landscaping lighting, outdoor advertising and parking lots.

ELECTRICAL

Wattage	15W / 25W / 35W
Voltage	120-277V
Power Factor	0.9
Total Harmonic Distortion (THD)	20

LIGHTING PERFORMANCE

Lumens	2130 / 3550 / 5000
Lumens Per Watt (LPW)	142
Color Temperature (CCT)	3000K / 4000K / 5000K
Color Rendering (CRI)	83
R9 (Red Value)	5
R13 (Skin Tones)	--
Beam Angle	7H x 7V
Light Distribution	Type VS
BUG Rating (Backlight, Uplight, and Glare)	B2 - Ux -G0
Dimmable Lighting Control	<i>Dimmable</i> 0-10V, Range 10% - 100%

ENVIRONMENT

Operating Temperature	-4° ~ 104°F
Suitable Location	WET
Ingress Protection Rating	IP65

LIFESPAN

Average Life (Hours)	50,000
Warranty (Years)	7

COMPONENTS

LED Light Source	--
Driver	Premium Electronics with 6kV/4kV Surge Protection

CONSTRUCTION

Housing	Die Cast Aluminum
Lens	PC
Base / Power Supply	Hard Wired
Finish	Bronze

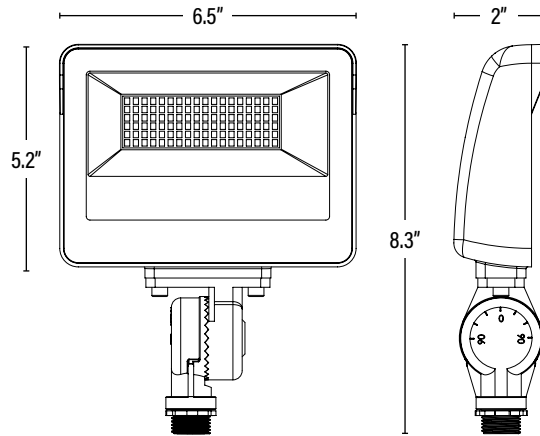
QUALIFICATIONS

Manufacturer Model #	84360
----------------------	-------



Manufactured by P.Q.L., Inc. • Published lumens on LED products are approximate and may vary slightly. • Specifications are subject to change without notice.

CMFX35 XTREME DUTY • 7YR LED SPEC-SELECT™ FLOOD LIGHT



DIMENSIONS (Inches)

Length	6.5"
Width	2"
Height	8.3"
Weight (Lbs)	2

PACKAGING

		UPC	DIMENSIONS (LxWxH)	GROSS WEIGHT (Lbs)
Master Carton	6	10811768029588	13.2" x 7.8" x 9.8"	--
Individual Box	1	811768029581	6.5" x 2.5" x 9.6"	--
Country of Origin	China			
HS Tariff	9405.11.6020			

ORDERING

ITEM#	DESCRIPTION	CASE
CMFX35	LED SPEC-SELECT™ FLOOD/15-25-35W/30-40-50K/DIMM/120-277V/BRZ/PC • 1/2IN KNUCKLE	6

Manufactured by P.Q.L., Inc. - Manufacturer Model # 84360

ITEM INFORMATION