



CBX524 XTREME DUTY • 7YR
LED 2X4 SPEC-SELECT™
BACK-LIT PANEL
2X4 LUMINAIRES FOR AMBIENT LIGHTING OF
INTERIOR COMMERCIAL SPACES

FEATURES

Spec-Select™ Panels feature adjustable wattage and color temperature for the perfect balance of light in any application.

- Energy efficient
- No flickering

APPLICATION

Ideal for retrofitting inefficient fixtures in malls, hospitals, airports, offices, lobbies and other residential and commercial applications.

ELECTRICAL

| | |
|---------------------------------|-----------------|
| Wattage | 30W / 40W / 50W |
| Voltage | 120-277V |
| Current | 0.42-0.18A |
| Power Factor | 0.9 |
| Total Harmonic Distortion (THD) | 10 |

LIGHTING PERFORMANCE

| | |
|--|--|
| Lumens | 3630-5550 |
| Lumens Per Watt (LPW) | 111 |
| Color Temperature (CCT) | 3500K / 4100K / 5000K |
| Color Rendering (CRI) | 82 |
| R9 (Red Value) | -- |
| R13 (Skin Tones) | -- |
| Beam Angle | 120° |
| Light Distribution | Type VS |
| BUG Rating (Backlight, Uplight, and Glare) | -- |
| Dimmable Lighting Control | <i>Dimmable</i> 0-10V, Range 10% - 100% |

ENVIRONMENT

| | |
|---------------------------|-------------|
| Operating Temperature | -4 ~ 113°F |
| Suitable Location | DAMP |
| Ingress Protection Rating | IP40 |

LIFESPAN

| | |
|----------------------|----------|
| Average Life (Hours) | 50,000 |
| Warranty (Years) | 7 |

COMPONENTS

| | |
|------------------|----|
| LED Light Source | -- |
| Driver | -- |

CONSTRUCTION

| | |
|---------------------|------------|
| Housing | Aluminum |
| Lens | Frosted |
| Base / Power Supply | Hard Wired |
| Finish | White |

QUALIFICATIONS

| | |
|--------------|-------|
| Model Number | 55679 |
| Pending | |

Manufactured by P.Q.L., Inc. - Published lumens on LED products are approximate and may vary slightly. - Specifications are subject to change without notice.

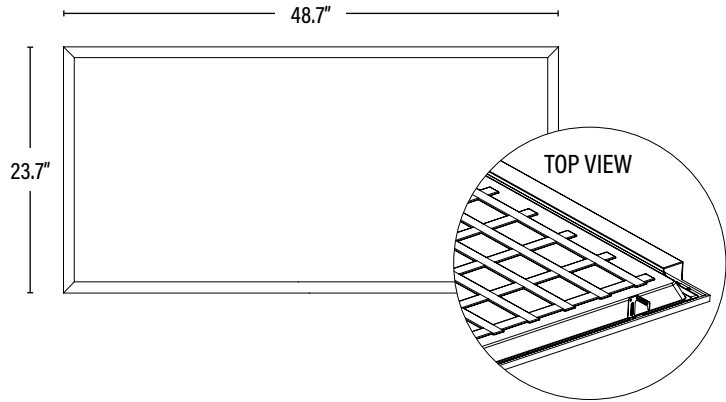
CBX524 XTREME DUTY • 7YR LED 2X4 SPEC-SELECT™ BACK-LIT PANEL



ITEM INFORMATION

DIMENSIONS (Inches)

| | |
|--------------|-------|
| Length | 47.8" |
| Width | 23.7" |
| Height | 1.6" |
| Weight (Lbs) | -- |



| PACKAGING | UPC | DIMENSIONS (LxWxH) | GROSS WEIGHT (Lbs) |
|-------------------|--------------|--------------------|--------------------|
| Master Carton | 2 | 10811768024835 | -- |
| Individual Box | 1 | 811768024838 | N/A |
| Country of Origin | China | | |
| HS Tariff | 9405.10.6020 | | |

ORDERING

| ITEM# | DESCRIPTION | CASE |
|--------|---|------|
| CBX524 | LED 2X4 SPEC-SELECT™ PANEL/30-40-50W/35-50K/DIMM/120-277V | 2 |

Manufactured by P.Q.L., Inc. - Manufacturer Model # 55679

ADDITIONAL INFORMATION:

- Default settings; 50W, 5000K.
- The color temperature and wattage may be adjusted by two slide switches integrated into the driver, selection should be made prior to installation.

