



**CD4354** XTREME DUTY • 7YR  
**LED 48" DESIGNER STRIP**  
DIRECT LINEAR AMBIENT LUMINARIES

**FEATURES**

- Diffusing lens for bright, uniform light.
- Low-profile with a limitless range of applications.
- Uses 30% less energy than a linear fluorescent fixture.
- All steel surfaces are painted after fabrication for smooth edges and rounded corners.

**MOUNTING**

- Designed for surface or suspended chain mounting; individually or in a continuous row.

**APPLICATION**

Ideal for larger warehouses, retail applications, commercial buildings and work areas.

**ELECTRICAL**

Wattage	35W
Voltage	120-277V
Current	0.29A
Power Factor	0.9
Total Harmonic Distortion (THD)	10

**LIGHTING PERFORMANCE**

Lumens	4585
Lumens Per Watt (Lm/W)	131
Color Temperature (CCT)	4000K
Color Rendering (CRI)	82
R9 (Red Value)	7
R13 (Skin Tones)	82
Beam Angle	130°
Light Distribution	Type II, Very Short
Dimmable Lighting Control	<i>Dimmable</i> 0-10V, Range 10% - 100%

**ENVIRONMENT**

Operating Temperature	-4° ~ 122°F
Suitable Location	<b>DAMP</b>
Ingress Protection Rating	IP40

**LIFESPAN**

Average Life (Hours)	50,000
Warranty (Years)	<b>7</b>

**COMPONENTS**

LED Light Source	Seoul 3528
Driver	Simon SIE40-I750

**CONSTRUCTION**

Housing	24 Gauge Steel
Base / Power Supply	Hard Wired
Finish	White Baked Enamel

**QUALIFICATIONS**

Manufacturer Model #	55464
----------------------	-------



*Manufactured by P.Q.L., Inc. • Published lumens on LED products are approximate and may vary slightly. • Specifications are subject to change without notice.*

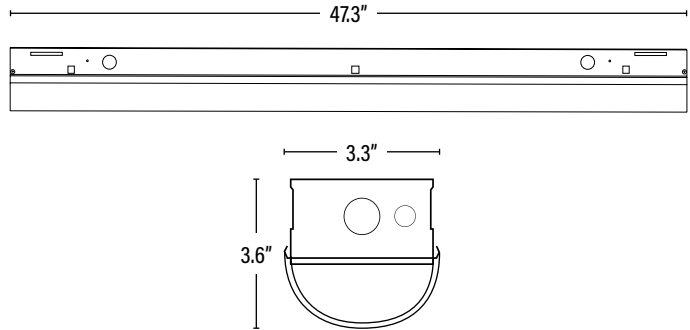
# CD4354 XTREME DUTY • 7YR LED 48" DESIGNER STRIP



## DIMENSIONS (Inches)

Length	47.3"
Width/Diameter	3.3"
Height	3.6"
Weight (Lbs)	6.3

Line drawings may not be to scale and are for general reference only.



## PACKAGING

		UPC	DIMENSIONS (LxWxH)	GROSS WEIGHT (Lbs)
Master Carton	6	10899645001049	49.6" x 11.7" x 8.4"	37.9
Individual Box	1	899645001042	--	--
Country of Origin	China			
HS Tariff	9405.10.6020			

## ORDERING

ITEM#	DESCRIPTION	CASE
CD4354	LED 48" DESIGNER STRIP - 35W/40K/120-277V/DIMMABLE/V2	6

Manufactured by P.Q.L., Inc. - Manufacturer Model # 55464

## ACCESSORIES

LF3599	360° LOW/HIGH BAY FIXTURE OCCUPANCY PIR SENSOR 30' DIA, 8-40'HEIGHT 800W/1200W • 120/277V	50
LF3502	EMERGENCY PACK FOR LED FIXTURE 16W/90 MIN/SPLIT TYPE/L (For use with drivers that are 100W or less.)	1

PERFORMANCE DATA

PACKAGING