



**CF0912 XTREME DUTY • 7YR**  
**LED MINI WALL PACK**  
OUTDOOR NON-CUTOFF AND SEMI-CUTOFF  
WALL-MOUNTED AREA LUMINAIRE

**FEATURES**

- Easy installation
- Replaces 25W HID
- Sealed housing for outdoor applications
- Polycarbonate optical lens

**APPLICATION**

Ideal for security, pathway and perimeter lighting, building entry ways and walkways.

**ELECTRICAL**

Wattage	11.6W
Voltage	120-277V
Current	0.11A
Power Factor	0.9
Total Harmonic Distortion (THD)	4.9

**LIGHTING PERFORMANCE**

Lumens	1631
Lumens Per Watt (Lm/W)	141
Color Temperature (CCT)	4000K
Color Rendering (CRI)	73
R9 (Red Value)	-17
R13 (Skin Tones)	--
Beam Angle	90°
Light Distribution	Very Short, Type IV
BUG Rating (Backlight, Uplight, and Glare)	B1 - U3 - G1
Dimmable Lighting Control	<i>Dimmable</i> 0-10V, Range 10% - 100%

**ENVIRONMENT**

Operating Temperature	-22° ~ 113°F
Suitable Location	<b>WET</b>
Ingress Protection Rating	IP65

**LIFESPAN**

Average Life (Hours)	50,000
Warranty (Years)	<b>7</b>

**COMPONENTS**

LED Light Source	Luxeon 3030 2D
Driver	WP-HLA-016U

**CONSTRUCTION**

Housing	Aluminum Alloy / PC
Lens	Clear
Base / Power Supply	Hard Wired
Finish	Black

**QUALIFICATIONS**

Model Number	MWP-12-[D, P]-40K
--------------	-------------------

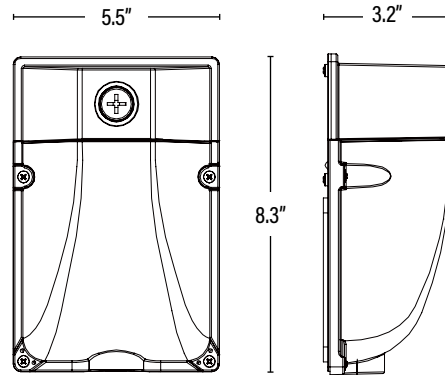


Manufactured by P.Q.L., Inc. • Published lumens on LED products are approximate and may vary slightly. • Specifications are subject to change without notice.

# CF0912 XTREME DUTY • 7YR LED MINI WALL PACK



ITEM INFORMATION



### DIMENSIONS (Inches)

Length	8.3"
Width	5.5"
Height	3.2"
Net Weight (Lbs)	--

### PACKAGING

		UPC	DIMENSIONS (LxWxH)	GROSS WEIGHT (Lbs)
Master Carton	8	811768021073	5.6" x 3.9" x 8.5"	14.8
Individual Box	1	10811768021070	--	1.9
Country of Origin	China			
HS Tariff	--			

### ORDERING

ITEM#	DESCRIPTION	CASE
CF0912	LED MINI WALL PACK/12W/40K/CL/DIMM/120-277V/BLK	8

*Manufactured by P.Q.L., Inc. - Manufacturer Model # MWP-12-[D,P]-40K*

### ADDITIONAL INFORMATION:

**Note:** To prevent water damage which may shorten the life of an exterior mounted fixture; the fixture should be properly weather sealed according to the installation instructions or between the fixture base and mounting surface. Damage due to improper installation may void the warranty.