



CF3125 XTREME DUTY • 8YR
LED FLAT HIGH BAY
HIGH-BAY LUMINAIRES FOR COMMERCIAL AND INDUSTRIAL BUILDINGS

FEATURES

- High lumen output - bright and high lumen per watt.
- Integrated LED - maintenance free.
- Replaces HID and fluorescent fixtures.
- Wide beam angle - uniform light distribution.
- All steel surfaces are painted after fabrication for smooth edges and rounded corners.

MOUNTING

Designed for suspended or pendant mounting.

APPLICATION

Larger warehouses, retail applications, commercial buildings and work areas.

ELECTRICAL

Wattage	90W
Voltage	120-277V
Current	0.74A
Power Factor	0.9
Total Harmonic Distortion (THD)	10

LIGHTING PERFORMANCE

Lumens	11790
Lumens Per Watt (Lm/W)	131
Color Temperature (CCT)	5000K
Color Rendering (CRI)	83
R9 (Red Value)	8
R13 (Skin Tones)	83
Beam Angle	120°
Light Distribution	Type VS
BUG Rating (Backlight, Uplight, and Glare)	B3 - U2 - G1
Dimmable Lighting Control	<i>Dimmable</i> 0-10V, Range 10% - 100%

ENVIRONMENT

Operating Temperature	-4° ~ 122°F
Suitable Location	DAMP
Ingress Protection Rating	IP40

LIFESPAN

Average Life (Hours)	50,000
Warranty (Years)	8

COMPONENTS

LED Light Source	Seoul 3528
Driver	SIP 80-12000

CONSTRUCTION

Housing	24 Gauge C.R.S.
Lens	Acrylic (PMMA)
Base / Power Supply	Hard Wired
Finish	White

QUALIFICATIONS

Manufacturer Model #	55481
----------------------	-------



Manufactured by P.Q.L., Inc. • Published lumens on LED products are approximate and may vary slightly.

PERFORMANCE DATA

PACKAGING

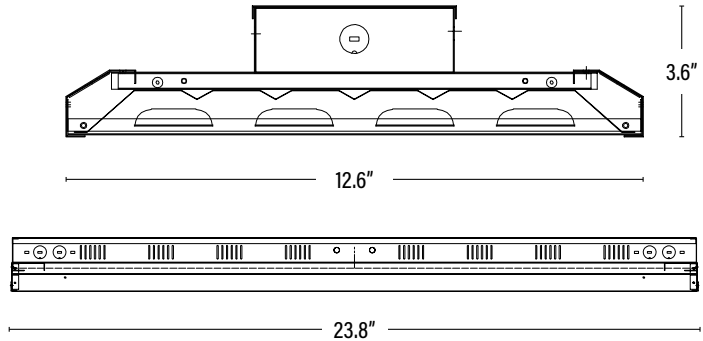
CF3125 XTREME DUTY • 8YR LED FLAT HIGH BAY



DIMENSIONS (Inches)

Length	23.8"
Width	12.6"
Height	3.6"
Weight	10.1
Chain	41.34" (2 ea.)

Line drawings may not be to scale and are for general reference only.



PACKAGING

		UPC	DIMENSIONS (LxWxH)	GROSS WEIGHT (Lbs)
Master Carton	1	811768023633	24.8" x 13" x 3.9"	12.1
Country of Origin	China			
HS Tariff	9405.10.6020			

ORDERING

ITEM#	DESCRIPTION	CASE
CF3125	LED FLAT 2' HIGH BAY 90W/50K/FR LENS/V-HOOKS AND CHAIN/DIMMABLE/V2	1

Manufactured by P.Q.L., Inc. - Manufacturer Model # 55481

ACCESSORIES/REPLACEMENT PARTS

LF3599	360° LED LOW/HIGH BAY FIXTURE PIR OCCUPANCY SENSOR 800W/1200W • 120-277V	50
--------	--	----

ADDITIONAL INFORMATION:

Note: When using an Emergency Pack with the fixture, cable mounting is recommended to control the balance of the fixture.

PERFORMANCE DATA

PACKAGING