



**CFCX50 XTREME DUTY • 7YR**  
**LED SPEC-SELECT™ STEALTH™**  
**CUTOFF WALL PACK**  
OUTDOOR NON-CUTOFF AND SEMI-CUTOFF  
WALL-MOUNTED AREA LUMINARIES

**FEATURES**

Spec-Select™ Stealth™ Cutoff Wall Packs feature adjustable wattage and color temperature for the perfect balance of light in any application.

- Replaces 100-250W traditional HID wall packs
- Durable weather resistant, die casting housing
- UV resistant polycarbonate optical lens
- Light weight
- Easy installation

**APPLICATION**

Ideal for security, walkways and perimeter lighting.

**ELECTRICAL**

Wattage	20W / 30W / 45W / 50W
Voltage	120-277V
Current	Max. 0.55A
Power Factor	0.9
Total Harmonic Distortion (THD)	15.7

**LIGHTING PERFORMANCE**

Lumens	1500-6343
Lumens Per Watt (Lm/W)	127
Color Temperature (CCT)	3000K / 4000K / 5000K
Color Rendering (CRI)	73
R9 (Red Value)	-33
Beam Angle	92°

Light Distribution	45W	Very Short, Type II
	20W / 30W / 50W	Very Short, Type III
BUG Rating (Backlight, Uplight, and Glare)	20W	B1 - UX - G1
	30W / 45W	B1 - U1 - G1
	50W	B1 - U2 - G1

Dimmable Lighting Control



**ENVIRONMENT**

Operating Temperature	-22° ~ 113°F
Suitable Location	<b>WET</b>
Ingress Protection Rating	IP65

**LIFESPAN**

Average Life (Hours)	50,000
Warranty (Years)	<b>7</b>

**COMPONENTS**

LED Light Source	LumiLED 3030
Driver	WP-HLA-050U

**CONSTRUCTION**

Housing	Die-Cast Aluminum
Lens	PC
Base / Power Supply	Hard Wired
Finish	Bronze

**QUALIFICATIONS**

Model Number	SPSTLWP-50-[L;H]V-[C;MC;PC;PSC;SC]-TK
--------------	---------------------------------------



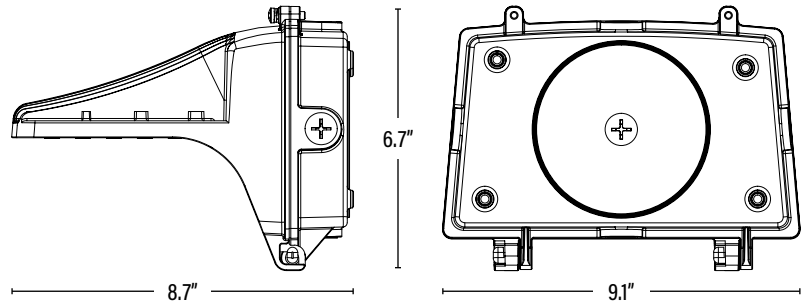
Manufactured by P.Q.L., Inc. • Published lumens on LED products are approximate and may vary slightly. • Specifications are subject to change without notice.

# CFCX50 XTREME DUTY • 7YR LED SPEC-SELECT™ STEALTH™ CUTOFF WALL PACK



## DIMENSIONS (Inches)

Length	8.7"
Width	9.1"
Height	6.7"
Net Weight (Lbs)	3.9



## PACKAGING

		UPC	DIMENSIONS (LxWxH)	GROSS WEIGHT (Lbs)
Master Carton	1	811768021233	10.2" x 7.9" x 10.4"	5
Country of Origin	China			
HS Tariff	9405.10.6020			

## ORDERING

ITEM#	DESCRIPTION	CASE
CFCX50	LED SPEC-SELECT™ STEALTH™ FULL CUTOFF WALL PACK 20W/30W/45W/50W - 30K/40K/50K/120-277V/BRONZE	1

*Manufactured by P.Q.L., Inc. - Manufacturer Model # SPSTLWP-50-[L;H]V-[C;MC;PC;PSC;SC]-TK*

## ACCESSORIES

LFC004	EM BATTERY FOR LED STEALTH™ FULL CUTOFF WALL PACK 4W/90 MIN/120-277V	50
--------	--	----

## ADDITIONAL INFORMATION:

**Note:** To prevent water damage which may shorten the life of an exterior mounted fixture; the fixture should be properly weather sealed according to the installation instructions or between the fixture base and mounting surface. Damage due to improper installation may void the warranty.