



CL3038 XTREME DUTY • 7YR
LED 8" RETROFIT CAN
INDOOR FIXTURE

FEATURES

- Energy efficient: save up to 80% in energy costs
- High lumen output
- Instant-On
- For covered ceilings only
- Suitable for TYPE IC or NON-IC

APPLICATION

Ideal for retrofitting inefficient fixtures in malls, hospitals, airports, offices, lobbies and other commercial applications.

ELECTRICAL

Wattage	30W
Voltage	100-277V
Output Voltage	36V, 700mA
Current	0.235A
Power Factor	0.95
Total Harmonic Distortion (THD)	<25

LIGHTING PERFORMANCE

Lumens	2350
Lumens Per Watt (Lm/W)	78
Color Temperature (CCT)	3000K
Color Rendering (CRI)	83
R9 (Red Value)	12
R13 (Skin Tones)	87
Beam Angle	95°
Light Distribution	Type VS
BUG Rating (Backlight, Uplight, and Glare)	B1 - U1 - G0
Dimmable Lighting Control	<i>Dimmable</i> 0-10V, Range 10% - 100%

ENVIRONMENT

Operating Temperature	-40° ~ 104°F
Suitable Location	WET Indoor / Covered Ceilings
Ingress Protection Rating	IP43

LIFESPAN

Average Life (Hours)	50,000
Warranty (Years)	7

COMPONENTS

LED Light Source	Hongli 2835D
------------------	--------------

CONSTRUCTION

Housing	Aluminum Alloy
Base / Power Supply	Hard Wired
Finish	White

QUALIFICATIONS

Manufacturer Model #	90994
----------------------	-------



Manufactured by P.Q.L., Inc. • Published lumens on LED products are approximate and may vary slightly. • Specifications are subject to change without notice.

CL3038 XTREME DUTY • 7YR LED 8" RETROFIT CAN

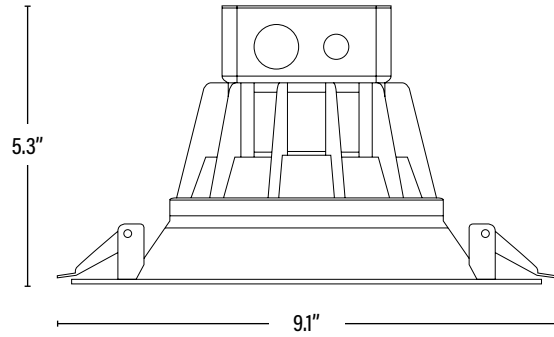


ITEM INFORMATION

DIMENSIONS (Inches)

Length (MOL)	5.3"
Width/Diameter (MOD)	9.1"
Weight (Lbs)	--

Line drawings may not be to scale and are for general reference only.



PACKAGING		UPC	DIMENSIONS (LxWxH)	GROSS WEIGHT (Lbs)
Master Carton	6	10811768028604	18.9" x 17.3" x 10"	17.6
Individual Box	1	811768028607	9.2" x 5.7" x 9.1"	2.9
Country of Origin	China			
HS Tariff	8539.50.0010			

ORDERING

ITEM#	DESCRIPTION	CASE
CL3038	LED RETROFIT 8" CAN/WHITE/30W/30K/100-277V/DIMMABLE	6

Manufactured by P.Q.L., Inc. - Manufacturer Model # 90994

ADDITIONAL INFORMATION:

Production code after September 2019 (shown on the etch as the year and month) will include longer lead-wires for easier EM Battery installation.