



LF1154 COMMERCIAL DUTY • 5YR
LED FLOOD LIGHT
ARCHITECTURAL FLOOD AND SPOT
LUMINAIRES - WIDE DISTRIBUTION ONLY

FEATURES

- Corrosion resistant die cast housing, with a powder paint coat finish.
- Compact design that separates the LED module from the heat sink to ensure efficient cooling.
- Fixture angle can be easily adjusted.


APPLICATION

Ideal for wall washing, landscaping lighting, outdoor advertising and parking lots.

ELECTRICAL

Wattage	50W
Voltage	120-277V
Power Factor	0.9
Total Harmonic Distortion (THD)	15

LIGHTING PERFORMANCE

Lumens	6600
Lumens Per Watt (Lm/W)	132
Color Temperature (CCT)	4000K
Color Rendering (CRI)	70
R9 (Red Value)	-15
R13 (Skin Tones)	71
Beam Angle	7H6V
Light Distribution	Type I, Very Short
BUG Rating (Backlight, Uplight, and Glare)	B3 - U1 - G0
Dimmable Lighting Control	

ENVIRONMENT

Operating Temperature	-40° ~ 104°F
Suitable Location	WET
Ingress Protection Rating	IP65

LIFESPAN

Average Life (Hours)	50,000
Warranty (Years)	5

COMPONENTS

LED Light Source	LUXEON 3030 2D
Driver	WP-HHG-050U

CONSTRUCTION

Housing	Die Cast Aluminum
Lens	PC
Base / Power Supply	Hard Wired
Finish	Bronze

QUALIFICATIONS

Model Number	84136
--------------	-------



Manufactured by P.Q.L., Inc. • Published lumens on LED products are approximate and may vary slightly. • Specifications are subject to change without notice.

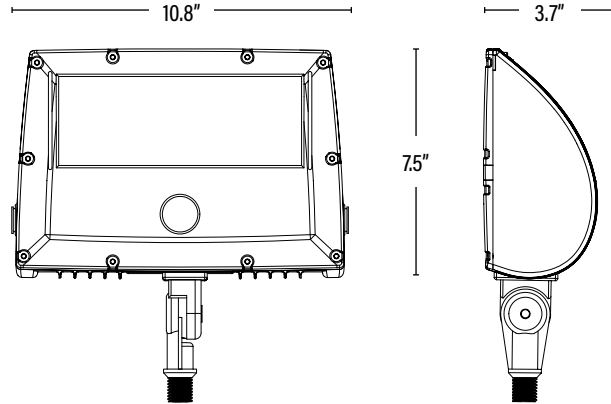
LF1154 COMMERCIAL DUTY • 5YR LED FLOOD LIGHT



ITEM INFORMATION

DIMENSIONS (Inches)

Length	10.8"
Width	3.7"
Height	7.5"
Net Weight (Lbs)	--



PACKAGING

PACKAGING	UPC	DIMENSIONS (LxWxH)	GROSS WEIGHT (Lbs)	
Master Carton	1	811768023954	12.6" x 12.6" x 5.5"	7.9
Country of Origin	China			
HS Tariff	9405.10.6020			

ORDERING

ITEM#	DESCRIPTION	CASE
LF1154	LED FLOOD LIGHT/50W/40K/120-277V/BRZ • 1/2IN KNUCKLE	1

Manufactured by P.Q.L., Inc. - Manufacturer Model # 84136