



LF3225 LT. COMMERCIAL • 5YR
LED 2X2 PREMIUM PANEL
2X2 LUMINARIES FOR AMBIENT LIGHTING OF
INTERIOR COMMERCIAL SPACES

FEATURES

- High Efficiency, Energy Saving
- Highest lumens per watt light output.
- Low glare, bright edge-to-edge lighting.
- For covered ceilings only
- Earthquake proof hooks included

APPLICATION

Ideal for offices, conference rooms, hospitals, lobbies, hotels, classrooms, workshops, cafeterias and other common areas.

ELECTRICAL

Wattage	36W
Voltage	100-277V
Current	850mA
Power Factor	0.9
Total Harmonic Distortion (THD)	11.2

LIGHTING PERFORMANCE

Lumens	4700
Lumens Per Watt (Lm/W)	130
Color Temperature (CCT)	5000K
Color Rendering (CRI)	83
R9 (Red Value)	N/A
R13 (Skin Tones)	N/A
Beam Angle	120°
Light Distribution	Type VS
BUG Rating (Backlight, Uplight, and Glare)	B2 - U1 - G1
Dimmable Lighting Control	<i>Dimmable</i> 1-10V, Range 10% - 100%

ENVIRONMENT

Operating Temperature	-4 ~ 113°F
Suitable Location	DAMP
Ingress Protection Rating	IP40

LIFESPAN

Average Life (Hours)	50,000
Warranty (Years)	5

COMPONENTS

LED Light Source	Everlight 67-21S
Driver	554156

CONSTRUCTION

Housing	Aluminum
Lens	--
Base / Power Supply	Hard Wired
Finish	White

QUALIFICATIONS

Manufacturer Model #	55415
----------------------	-------



Manufactured by P.Q.L., Inc. • Published lumens on LED products are approximate and may vary slightly. • Specifications are subject to change without notice.

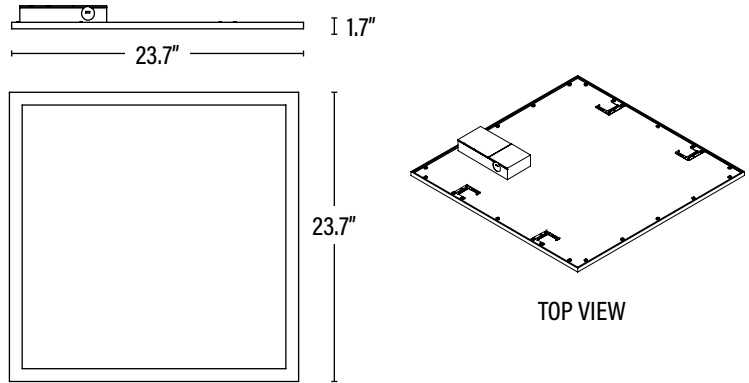
LF3225 LT. COMMERCIAL • 5YR LED 2X2 PREMIUM PANEL



DIMENSIONS (Inches)

Length	23.7"
Width/Diameter	23.7"
Height	1.7"
Weight (Lbs)	6.6

Line drawings may not be to scale and are for general reference only.



PACKAGING		UPC	DIMENSIONS (LxWxH)	GROSS WEIGHT (Lbs)
Master Carton	2	10811768021735	25.6" x 25.6" x 4.5"	17.3
Individual Box	1	811768021738	--	8.7
Country of Origin	China			
HS Tariff	9405.10.6020			

ORDERING

ITEM#	DESCRIPTION	CASE
LF3225	LED 2X2 PANEL - 36W/50K/120-277V/DIMMABLE/V6	2

Manufactured by P.Q.L., Inc. - Manufacturer Model # 55415

ACCESSORIES

LF3505	EMERGENCY PACK FOR LED PANEL 15W/90 MIN	6
LF3506	EMERGENCY PACK FOR LED PANEL 25W/90 MIN	6

PERFORMANCE DATA

PACKAGING