



LF3544 LT. COMMERCIAL • 5YR
LED 2X2 PANEL
2X2 LUMINARIES FOR AMBIENT LIGHTING OF
INTERIOR COMMERCIAL SPACES

FEATURES

- High Efficiency, Energy Saving
- Up to 36% Savings vs. T8 Fluorescent
- Low glare, bright consistent lighting
- For covered ceilings only
- Earthquake proof hooks included

APPLICATION

Ideal for offices, conference rooms, hospitals, lobbies, hotels, classrooms, workshops, cafeterias and other common areas.

ELECTRICAL

Wattage	40W
Voltage	100-277V
Current	900mA
Power Factor	0.9
Total Harmonic Distortion (THD)	10.4

LIGHTING PERFORMANCE

Lumens	4500
Lumens Per Watt (Lm/W)	113
Color Temperature (CCT)	4000K
Color Rendering (CRI)	83
R9 (Red Value)	10
R13 (Skin Tones)	N/A
Beam Angle	120°
Light Distribution	Type VS
BUG Rating (Backlight, Uplight, and Glare)	B2 - U1 - G1
Dimmable Lighting Control	<i>Dimmable</i> 1-10V, Range 10% - 100%

ENVIRONMENT

Operating Temperature	-4 ~ 113°F
Suitable Location	DAMP
Ingress Protection Rating	IP40

LIFESPAN

Average Life (Hours)	50,000
Warranty (Years)	5

COMPONENTS

LED Light Source	Samsung
Driver	554186

CONSTRUCTION

Housing	Aluminum
Lens	--
Base / Power Supply	Hard Wired
Finish	White

QUALIFICATIONS

Manufacturer Model #	55429
----------------------	-------



Manufactured by P.Q.L., Inc. • Published lumens on LED products are approximate and may vary slightly.

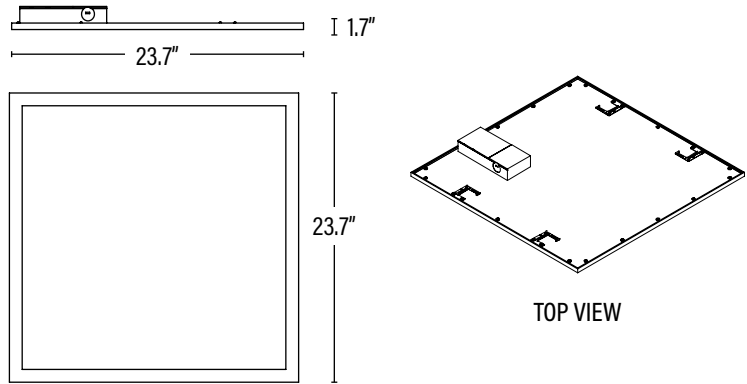
LF3544 LT. COMMERCIAL • 5YR LED 2X2 PANEL



DIMENSIONS (Inches)

Length	23.7"
Width/Diameter	23.7"
Height	1.7"
Weight (Lbs)	6.6

Line drawings may not be to scale and are for general reference only.



PACKAGING

		UPC	DIMENSIONS (LxWxH)	GROSS WEIGHT (Lbs)
Master Carton	2	10899645001513	25.6" x 25.6" x 4.5"	17.3
Individual Box	1	899645001516	--	8.7
Country of Origin	China			
HS Tariff	9405.10.6020			

ORDERING

ITEM#	DESCRIPTION	CASE
LF3544	LED 2X2 PANEL - 40W/40K/120-277V/DIMMABLE/V6	2

Manufactured by P.Q.L., Inc. - Manufacturer Model # 55429

PERFORMANCE DATA

PACKAGING