



LLF304 LT. COMMERCIAL • 5YR
LED MINI FLOOD
ARCHITECTURAL FLOOD AND SPOT
LUMINAIRES

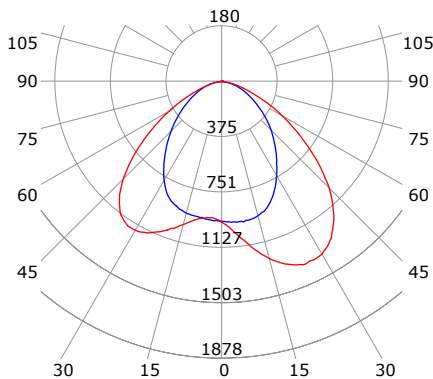
FEATURES

- Durable, die casting aluminum housing.
- Bronze powder coat finish, corrosion and weather resistant.
- Sealed to keep out moisture and environmental contaminants.

APPLICATION

Ideal for walk ways, general area lighting and building security.

LIGHT DISTRIBUTION CURVE



ELECTRICAL

Wattage	30W
Voltage	120-277V
Current	0.237A
Power Factor	0.9
Total Harmonic Distortion (THD)	20

LIGHTING PERFORMANCE

Lumens	3000
Lumens Per Watt (Lm/W)	100
Color Temperature (CCT)	4000K
Color Rendering (CRI)	70
R9 (Red Value)	-13
R13 (Skin Tones)	73
Beam Angle	7H x 7V
Light Distribution	Type VS
BUG Rating (Backlight, Uplight, and Glare)	B1 - U2 - G1

Dimmable Lighting Control



ENVIRONMENT

Operating Temperature	-40° ~ 122°F
Suitable Location	WET
Ingress Protection Rating	IP65

LIFESPAN

Average Life (Hours)	50,000
Warranty (Years)	5

COMPONENTS

LED Light Source	Philips Luxeon 3030
Driver	52108 (30W Max.)

CONSTRUCTION

Housing	Aluminum / PC
Base / Power Supply	Hard Wired
Finish	Bronze

QUALIFICATIONS

Manufacturer Model #	83265
----------------------	-------



Manufactured by P.Q.L., Inc. • Published lumens on LED products are approximate and may vary slightly. • Specifications are subject to change without notice.

PERFORMANCE DATA

PACKAGING

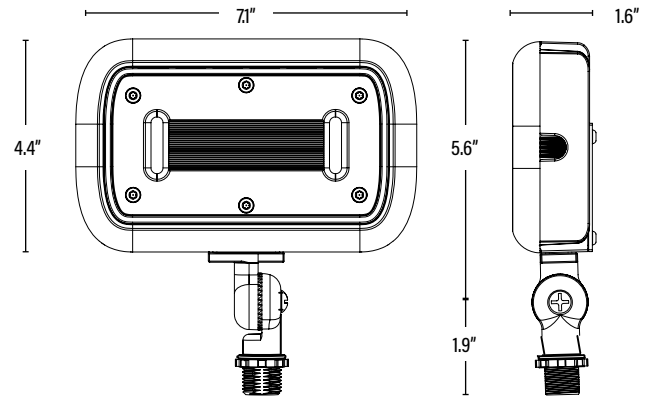
LLF304 LT. COMMERCIAL • 5YR LED MINI FLOOD



DIMENSIONS (Inches)

Length	7.1"
Width	4.4"
Height	1.6"
Weight (Lbs)	--

Line drawings may not be to scale and are for general reference only.



PACKAGING	UPC	DIMENSIONS (LxWxH)	GROSS WEIGHT (Lbs)
Master Carton	12	10811768029588	--
Individual Box	1	811768029581	--
Country of Origin	China		
HS Tariff	9405.10.6020		

ORDERING

ITEM#	DESCRIPTION	CASE
LLF304	LED 30W MINI FLOOD LIGHT/BRZ/1/2" KNUCKLE/40K/120-277V	12

Manufactured by P.Q.L., Inc. - Manufacturer Model # 83265

PERFORMANCE DATA

PACKAGING