

**LS1573** LT. COMMERCIAL • 5YR  
**LED SURFACE MOUNT**  
LUMINARIES FOR COMMERCIAL AND  
RESIDENTIAL BUILDINGS

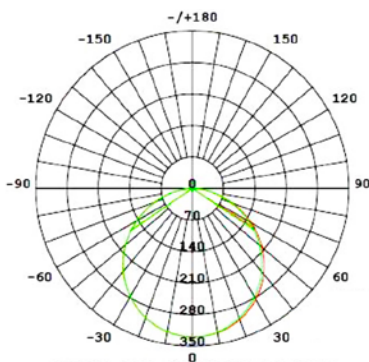
**FEATURES**

- LED surface mount fixture provides glare free illumination and even light distribution with a clean, modern look.
- Diffusing lens
- Low profile design
- Easy installation for both J-box and recessed can.

**APPLICATION**

Ideal for retrofitting inefficient fixtures in malls, hospitals, airports, offices, hallways, lobbies and other residential and commercial applications.

**LIGHT DISTRIBUTION CURVE**



**ELECTRICAL**

Wattage	15W
Voltage	120V
Current	140mA
Power Factor	0.9
Total Harmonic Distortion (THD)	8.1

**LIGHTING PERFORMANCE**

Lumens	900
Lumens Per Watt (Lm/W)	60
Color Temperature (CCT)	3000K
Color Rendering (CRI)	93
R9 (Red Value)	60
R13 (Skin Tones)	N/A
Beam Angle	112°
Light Distribution	Type VS
BUG Rating (Backlight, Uplight, and Glare)	B1 - UX - G0
Dimmable Lighting Control	<i>Dimmable</i> see compatibility report

**ENVIRONMENT**

Operating Temperature	-22° ~ 104°F
Suitable Location	<b>WET</b> Indoor / Covered Ceilings
Ingress Protection Rating	IP54

**LIFESPAN**

Average Life (Hours)	50,000
Warranty (Years)	<b>5</b>

**COMPONENTS**

LED Light Source	Smalite 2835
------------------	--------------

**CONSTRUCTION**

Housing	PC
Base / Power Supply	Hard Wired
Finish	White

**QUALIFICATIONS**

Manufacturer Model #	83885 
----------------------	---



Manufactured by P.Q.L., Inc. • Published lumens on LED products are approximate and may vary slightly. • Specifications are subject to change without notice.

PERFORMANCE DATA

PACKAGING

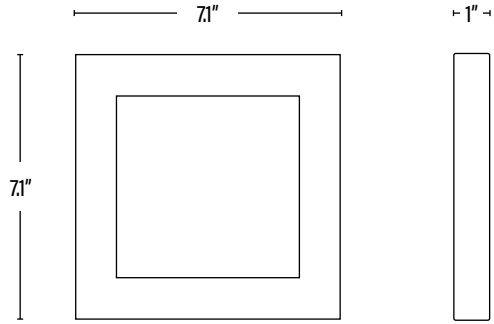
# LS1573 LT. COMMERCIAL • 5YR LED SURFACE MOUNT



### DIMENSIONS (Inches)

Length	7.1"
Width	7.1"
Height	1"
Weight (Lbs)	--

Line drawings may not be to scale and are for general reference only.



### PACKAGING

		UPC	DIMENSIONS (LxWxH)	GROSS WEIGHT (Lbs)
Master Carton	20	10811768029670	--	--
Individual Box	1	811768029673	7.3" x 2.4" x 7.5"	--
Country of Origin	China			
HS Tariff	9405.10.6020			

### ORDERING

ITEM#	DESCRIPTION	CASE
LS1573	LED 15W DESIGNER SURFACE MOUNTED/7" SQUARE/WHITE/30K/DIMMABLE	20

Manufactured by P.Q.L., Inc. - Manufacturer Model # 83885 **ENERGY STAR**

PERFORMANCE DATA

PACKAGING