



CF0626 XTREME DUTY • 7YR
LED LOW PROFILE CANOPY
FUEL PUMP CANOPY LUMINAIRES

FEATURES

- Thin low-profile design.
- Easy surface mounting.

APPLICATION

Ideal for retrofitting inefficient outdoor fixtures.

ELECTRICAL

Wattage	130W
Voltage	100-277V
Current	1.3A
Power Factor	0.9
Total Harmonic Distortion (THD)	15

LIGHTING PERFORMANCE

Lumens	16120
Lumens Per Watt (Lm/W)	124
Color Temperature (CCT)	5000K
Color Rendering (CRI)	80
R9 (Red Value)	8
R13 (Skin Tones)	83
Beam Angle	110°
Light Distribution	Type VS
BUG Rating (Backlight, Uplight, and Glare)	B3 - U3 - G1
Dimmable Lighting Control	<i>Dimmable</i> 0-10V, Range 10% - 100%

ENVIRONMENT

Operating Temperature	-22° ~ 122°F
Suitable Location	WET
Ingress Protection Rating	IP65

LIFESPAN

Average Life (Hours)	50,000
Warranty (Years)	7

COMPONENTS

LED Light Source	Samsung 2835
Driver	Sosen SS-150E-58B

CONSTRUCTION

Housing	Aluminum
Lens	Tempered Glass
Base / Power Supply	Hard Wire
Finish	White

QUALIFICATIONS

Manufacturer Model #	90006
----------------------	-------



Manufactured by P.Q.L., Inc. • Published lumens on LED products are approximate and may vary slightly. • Specifications are subject to change without notice.

CF0626 XTREME DUTY • 7YR LED LOW PROFILE CANOPY

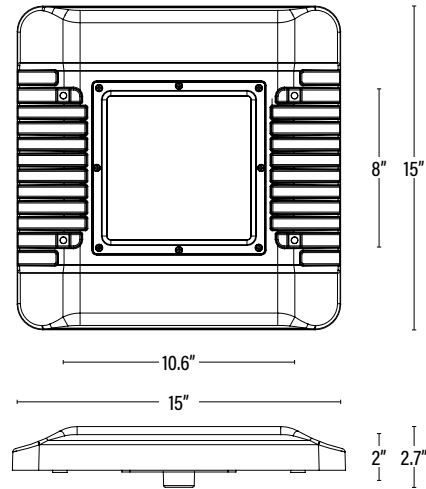


ITEM INFORMATION

DIMENSIONS (Inches)

Length	15"
Width/Diameter	15"
Height	2.7"
Weight (Lbs)	11

Line drawings may not be to scale and are for general reference only.



PACKAGING		UPC	DIMENSIONS (LxWxH)	GROSS WEIGHT (Lbs)
Master Carton	1	811768024999	17.4" x 16.5" x 16.5"	13.2
Country of Origin	China			
HS Tariff	9405.10.6020			

ORDERING

ITEM#	DESCRIPTION	CASE
CF0626	LED LOW PROFILE CANOPY 130W/50K/100-277V/DIMMABLE	1

Manufactured by P.Q.L., Inc. - Manufacturer Model # 90006

ADDITIONAL INFORMATION:

Note: To prevent water damage which may shorten the life of an exterior mounted fixture; the fixture should be properly weather sealed according to the installation instructions or between the fixture base and mounting surface. Damage due to improper installation may void the warranty.