



CFW424 XTREME DUTY • 7YR
LED 48" WRAP-A-ROUND
DIRECT LINEAR AMBIENT LUMINARIES

FEATURES

- Low-profile which meets limitless range of applications.
- Use 30% less energy than a traditional fluorescent fixture
- Standard knocks on back and ends.
- All steel surfaces are painted after fabrication with high gloss baked white matte powder paint.
- Low-glare prismatic lens

MOUNTING

Designed for surface and suspended mounting.

APPLICATION

Ideal for stairways, bathrooms and low light traffic areas.

ELECTRICAL

Wattage	42W
Voltage	120-277V
Current	0.345A
Power Factor	0.9
Total Harmonic Distortion (THD)	10

LIGHTING PERFORMANCE

Lumens	4410
Lumens Per Watt (Lm/W)	105
Color Temperature (CCT)	4000K
Color Rendering (CRI)	80
R9 (Red Value)	10
R13 (Skin Tones)	83
Beam Angle	100°
Light Distribution	Type VS
BUG Rating (Backlight, Uplight, and Glare)	B2 - U3 - G1
Dimmable Lighting Control	<i>Dimmable</i> 0-10V, Range 10% - 100%

ENVIRONMENT

Operating Temperature	-4° ~ 122°F
Suitable Location	DAMP
Ingress Protection Rating	IP40

LIFESPAN

Average Life (Hours)	50,000
Warranty (Years)	7

COMPONENTS

LED Light Source	Samsung 2835
Driver	Simon SI50-11000

CONSTRUCTION

Housing	24 Gauge Steel
Base / Power Supply	Hard Wired
Finish	White

QUALIFICATIONS

Manufacturer Model #	55259
----------------------	-------



Manufactured by P.Q.L., Inc. - Published lumens on LED products are approximate and may vary slightly. - Specifications are subject to change without notice.

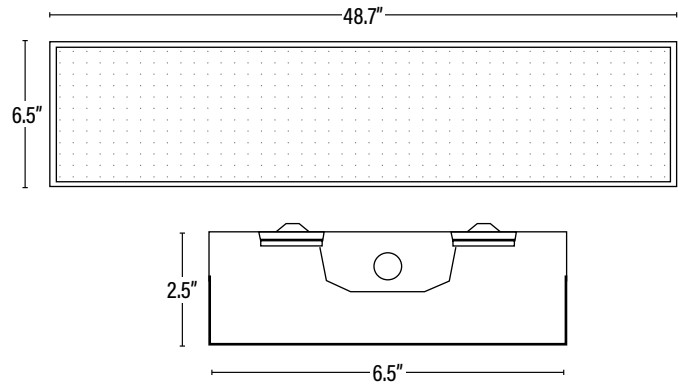
CFW424 XTREME DUTY • 7YR LED 48" WRAP-A-ROUND



ITEM INFORMATION

DIMENSIONS (Inches)

Length	48.7"
Width	6.5"
Height	2.5"
Net Weight (Lbs)	--



PACKAGING

		UPC	DIMENSIONS (LxWxH)	GROSS WEIGHT (Lbs)
Master Carton	4	10811768028727	49.2" x 12.8" x 8.2"	26.5
Individual Box	1	811768028720	--	6.6
Country of Origin	China			
HS Tariff	9405.10.6020			

ORDERING

ITEM#	DESCRIPTION	CASE
CFW424	LED 48" WRAP A-ROUND - 42W/40K/FR/120-277V/DIMMABLE	1

Manufactured by P.Q.L., Inc. - Manufacturer Model # 55259

ACCESSORIES

LF3599	360° LOW/HIGH BAY FIXTURE OCCUPANCY PIR SENSOR 30' DIA, 8-40'HEIGHT 800W/1200W - 120/277V	50
LF3502	EMERGENCY PACK FOR LED FIXTURE 16W/90 MIN/SPLIT TYPE/L T20C (For use with drivers that are 100W or less.)	10