



CH2425 XTREME DUTY • 8YR
LED COMPASS HIGH BAY
HIGH-BAY LUMINAIRES FOR COMMERCIAL AND INDUSTRIAL BUILDINGS

FEATURES

- Die cast aluminum for better heat dissipation.
- Dust proof and anti-corrosive.
- Elegant design.
- High efficiency Sosen driver with built-in 4KV surge protection.

APPLICATION

Ideal for commercial and industrial applications; malls, warehouses, factories, retail stores, athletic facilities, workshops, airports, and large areas.

ELECTRICAL

Wattage	242W
Voltage	120-277V
Power Factor	0.9
Total Harmonic Distortion (THD)	6

LIGHTING PERFORMANCE

Lumens	33622
Lumens Per Watt (Lm/W)	139
Color Temperature (CCT)	5000K
Color Rendering (CRI)	84
R9 (Red Value)	--
R13 (Skin Tones)	--
Beam Angle	120°
Light Distribution	Type VS
Dimmable Lighting Control	<i>Dimmable</i> 0-10V, Range 10% - 100%

ENVIRONMENT

Operating Temperature	-22° ~ 122°F
Suitable Location	WET
Ingress Protection Rating	IP65

LIFESPAN

Average Life (Hours)	50,000
Warranty (Years)	8

COMPONENTS

LED Light Source	Seoul 2835
Driver	SS-240CP-54B

CONSTRUCTION

Housing	Aluminum
Lens	Tempered Glass
Base / Power Supply	Hard Wired
Finish	Black

QUALIFICATIONS

Manufacturer Model #	90342
----------------------	-------



Manufactured by P.Q.L., Inc. • Published lumens on LED products are approximate and may vary slightly. • Specifications are subject to change without notice.

CH2425 XTREME DUTY • 8YR LED COMPASS HIGH BAY

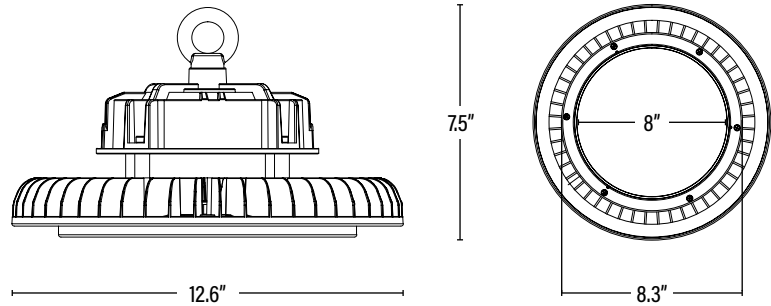


ITEM INFORMATION

DIMENSIONS (Inches)

Width/Diameter	12.6"
Height	7.5"
Weight (Lbs)	--

Line drawings may not be to scale and are for general reference only.



PACKAGING

PACKAGING	UPC	DIMENSIONS (LxWxH)	GROSS WEIGHT (Lbs)
Master Carton	1	811768022933	--
Country of Origin	China		
HS Tariff	9405.10.6020		

ORDERING

ITEM#	DESCRIPTION	CASE
CH2425	LED COMPASS HIGH BAY 240W/50K/120-277V/DIMMABLE/V2	1

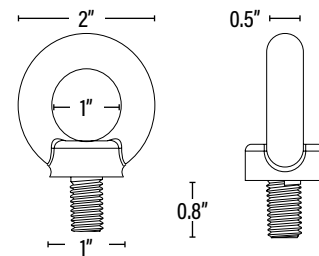
Manufactured by P.Q.L., Inc. - Manufacturer Model # 90342

ACCESSORIES

LHMBL	ADJUSTABLE ANGLE MOUNTING BRACKET FOR COMPASS HIGH BAY	20
LHSEN	MICROWAVE MOTION SENSOR FOR COMPASS HIGH BAY/100-277V 1-10V DIMM/KIT	10
LHAL16	16" ALUMINUM REFLECTOR FOR COMPASS HIGH BAY	1
LHPA16	16" ACRYLIC REFLECTOR FOR COMPASS HIGH BAY	1
LHBL16	16" ACRYLIC BOTTOM LENS FOR ACRYLIC REFLECTOR FOR COMPASS HIGH BAY	1

ADDITIONAL INFORMATION:

- Safety rope length approximately 5' 9"
- Power and dimming cord length approximately 11.8" - 15.7". *Stock with a production date code on or after 11/2020 will have a 72" (6FT) cord length.*
- Multiple screw holes are conveniently placed throughout the top of the fixture to connect occupancy sensors and reflectors.
- Emergency Battery Back Ups are available for 120-277V applications by special order. Contact your sales representative to discuss your specific needs.



M12
Eyelet Dimensions