



**CHP205 XTREME DUTY • 10YR  
LED PREMIUM COMPASS HIGH BAY  
HIGH-BAY LUMINAIRES FOR COMMERCIAL AND  
INDUSTRIAL BUILDINGS**

**FEATURES**

- Die cast aluminum for better heat dissipation.
- Dust proof and anti-corrosive.
- Elegant design.
- High efficiency Powerstar driver with built-in 4KV surge protection.
- Junction box available. *(Sold separately, installation required.)*

**APPLICATION**

Ideal for commercial and industrial applications; malls, warehouses, factories, retail stores, athletic facilities, workshops, airports, and large areas.

**FIXTURE WITH JUNCTION BOX**



**ELECTRICAL**

Wattage	197W
Voltage	120-347V
Power Factor	0.9
Total Harmonic Distortion (THD)	10.3

**LIGHTING PERFORMANCE**

Lumens	29168
Lumens Per Watt (Lm/W)	148
Color Temperature (CCT)	5000K
Color Rendering (CRI)	85
R9 (Red Value)	--
R13 (Skin Tones)	--
Beam Angle	120°
Light Distribution	Type VS
BUG Rating (Backlight, Uplight, and Glare)	B4 - U2 - G2
Dimmable Lighting Control	<i>Dimmable</i> 0-10V, Range 10% - 100%

**ENVIRONMENT**

Operating Temperature	-22°~ 122°F
Suitable Location	<b>WET</b>
Ingress Protection Rating	IP65

**LIFESPAN**

Average Life (Hours)	50,000
Warranty (Years)	<b>10</b>

**COMPONENTS**

LED Light Source	Seoul 3528
Driver	PSD-L200-C03

**CONSTRUCTION**

Housing	Aluminum
Lens	Tempered Glass
Base / Power Supply	Hard Wired
Finish	Black

**QUALIFICATIONS**

Manufacturer Model #	90348
----------------------	-------

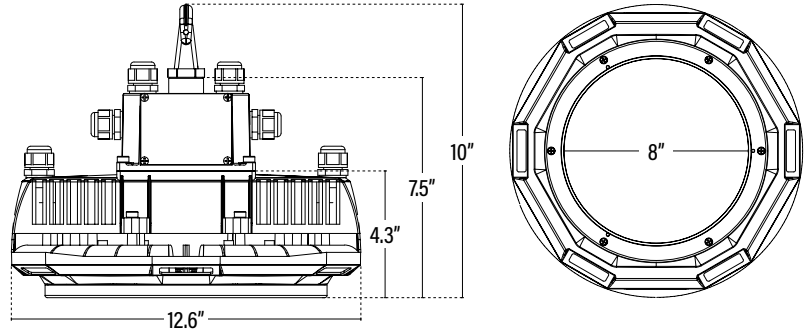


*Manufactured by P.Q.L., Inc. - Published lumens on LED products are approximate and may vary slightly. - Specifications are subject to change without notice.*

# CHP205 XTREME DUTY • 10YR LED PREMIUM COMPASS HIGH BAY



DIMENSIONS (Inches)	No Box	W/ Junction Box
Width/Diameter	12.6"	12.6"
Height	6.8"	10"
Weight (Lbs)	--	--



PACKAGING	UPC	DIMENSIONS (LxWxH)	GROSS WEIGHT (Lbs)
Master Carton	811768028348	15.8" x 15.8" x 9.5"	13.7
Country of Origin	China		
HS Tariff	9405.10.6020		

## ORDERING

ITEM#	DESCRIPTION	CASE
CHP205	LED COMPASS HIGH BAY 200W/50K/120-347V/DIMMABLE/V2	1

Manufactured by P.Q.L., Inc. - Manufacturer Model # 90348

## ACCESSORIES

LHPJBX	JUNCTION BOX ACCESSORY FOR LED COMPASS HIGH BAY	1
LHMBL <sup>1</sup>	ADJUSTABLE ANGLE MOUNTING BRACKET FOR COMPASS HIGH BAY	20
LHSEN <sup>2</sup>	MICROWAVE MOTION SENSOR FOR COMPASS HIGH BAY/100-277V 1-10V DIMM/KIT	10
LHAL16	16" ALUMINUM REFLECTOR FOR COMPASS HIGH BAY	1
LHPA16	16" ACRYLIC REFLECTOR FOR COMPASS HIGH BAY	1
LHBL16	16" ACRYLIC BOTTOM LENS FOR ACRYLIC REFLECTOR FOR COMPASS HIGH BAY	1

<sup>1</sup>The Adjustable Angle Mounting Bracket is only compatible without the use of the junction box.

<sup>2</sup>Motion Sensor and Waterproof Connector are compatible as long as the input voltage does not exceed the rating of the accessory.

## ADDITIONAL INFORMATION:

- Safety rope length approximately 5' 9"
- Power and dimming cord length approximately 11.8" - 15.7"
- Multiple screw holes are conveniently placed throughout the top of the fixture to connect occupancy sensors and reflectors.

