



LH5005 LT. COMMERCIAL • 5YR
LED COMPASS HIGH BAY
HIGH-BAY LUMINAIRES FOR COMMERCIAL AND
INDUSTRIAL BUILDINGS

FEATURES

- Die cast aluminum for better heat dissipation.
- Dust proof and anti-corrosive.
- Elegant design.
- High efficiency Meanwell constant-current driver.

APPLICATION

Ideal for commercial and industrial applications; malls, warehouses, factories, retail stores, athletic facilities, workshops, airports, and large areas.

PERFORMANCE DATA

ELECTRICAL

Wattage	511W
Voltage	100-277V
Power Factor	0.9
Total Harmonic Distortion (THD)	14.6

LIGHTING PERFORMANCE

Lumens	64837
Lumens Per Watt (Lm/W)	127
Color Temperature (CCT)	5000K
Color Rendering (CRI)	82
R9 (Red Value)	11
R13 (Skin Tones)	85
Beam Angle	120°
Light Distribution	Type VS
BUG Rating (Backlight, Uplight, and Glare)	B5 - U5 - G5
Dimmable Lighting Control	<i>Dimmable</i> 1-10V, Range 10% - 100%

ENVIRONMENT

Operating Temperature	-22°~ 122°F
Suitable Location	WET
Ingress Protection Rating	IP65

LIFESPAN

Average Life (Hours)	50,000
Warranty (Years)	5

COMPONENTS

LED Light Source	Luxeon 3030
Driver	Meanwell HLG-240H-48AB (2 ea.)

CONSTRUCTION

Housing	Aluminum
Lens	Tempered Glass
Base / Power Supply	Hard Wired
Finish	Black

QUALIFICATIONS

Manufacturer Model #	90387
----------------------	-------



Manufactured by P.Q.L., Inc. - Published lumens on LED products are approximate and may vary slightly. - Specifications are subject to change without notice.

LH5005 LT. COMMERCIAL • 5YR COMPASS HIGH BAY

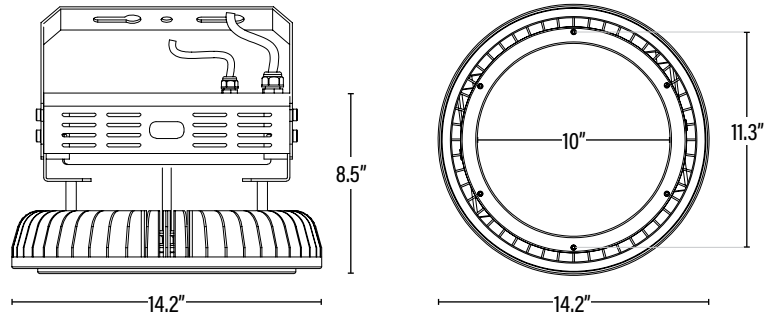


ITEM INFORMATION

DIMENSIONS (Inches)

Length (MOL)	14.2"
Width/Diameter (MOD)	14.2"
Height	8.5"
Weight (Lbs)	19.8

Line drawings may not be to scale and are for general reference only.



PACKAGING

PACKAGING	UPC	DIMENSIONS (LxWxH)	GROSS WEIGHT (Lbs)	
Master Carton	1	811768024425	17.7" x 17.7" x 17.7"	23.1
Country of Origin	China			
HS Tariff	9405.10.6020			

ORDERING

ITEM#	DESCRIPTION	CASE
LH5005	LED COMPASS HIGH BAY 500W/50K/100-277V/DIMMABLE	1

Manufactured by P.Q.L., Inc. - Manufacturer Model # 90387

ACCESSORIES

LHSEN	MICROWAVE MOTION SENSOR FOR COMPASS HIGH BAY/100-277V 1-10V DIMM/KIT	10
-------	--	----

ADDITIONAL INFORMATION:

- Safety rope length approximately 5' 9"
- Power and dimming cord length approximately 11.8" - 15.7"
- Multiple screw holes are conveniently placed throughout the top of the fixture to connect occupancy sensors and reflectors.
- Hook dimensions (Screw M12):

