



**LV4525** LT. COMMERCIAL • 5YR  
**LED 48" VAPOR TIGHT**  
DIRECT LINEAR AMBIENT LUMINARIES

**FEATURES**

- Low-profile which meets limitless range of applications.
- Use 30% less energy than a linear fluorescent fixtures.
- 100% UV stabilized polycarbonate housing and diffusers eliminates glare and produces even light distribution.
- Liquid silicone perimeter gasket
- Stainless steel clips.

**MOUNTING**

Designed for surface and suspended mounting.

**APPLICATION**

Ideal for parking garages, cold storage, food processing facilities, dusty and wet environments.

**ELECTRICAL**

|                                 |            |
|---------------------------------|------------|
| Wattage                         | 52W        |
| Voltage                         | 120-277V   |
| Current                         | 0.28-0.12A |
| Power Factor                    | 0.9        |
| Total Harmonic Distortion (THD) | 10         |

**LIGHTING PERFORMANCE**

|  |  |
|--|--|
| Lumens                                     | 6812                                       |
| Lumens Per Watt (Lm/W)                     | 131  |
| Color Temperature (CCT)                    | 5000K                                      |
| Color Rendering (CRI)                      | 82   |
| R9 (Red Value)                             | --   |
| R13 (Skin Tones)                           | --   |
| Beam Angle                                 | 120°                                       |
| Light Distribution                         | Type VS                                    |
| BUG Rating (Backlight, Uplight, and Glare) | B2 - U3 - G2                               |
| Dimmable Lighting Control                  | <i>Dimmable</i><br>0-10V, Range 10% - 100% |

**ENVIRONMENT**

|                           |              |
|---------------------------|--------------|
| Operating Temperature     | -40° ~ 122°F |
| Suitable Location         | <b>WET</b>   |
| Ingress Protection Rating | IP65         |

**LIFESPAN**

|                      |          |
|----------------------|----------|
| Average Life (Hours) | 50,000   |
| Warranty (Years)     | <b>5</b> |

**COMPONENTS**

|                  |             |
|------------------|-------------|
| LED Light Source | Seoul 3528  |
| Driver           | SIP50-I1150 |

**CONSTRUCTION**

|                     |               |
|---------------------|---------------|
| Housing             | Polycarbonate |
| Base / Power Supply | Hard Wired    |
| Finish              | White         |

**QUALIFICATIONS**

|                      |       |
|----------------------|-------|
| Manufacturer Model # | 55381 |
|----------------------|-------|



*Manufactured by P.Q.L., Inc. - Published lumens on LED products are approximate and may vary slightly. - Specifications are subject to change without notice.*

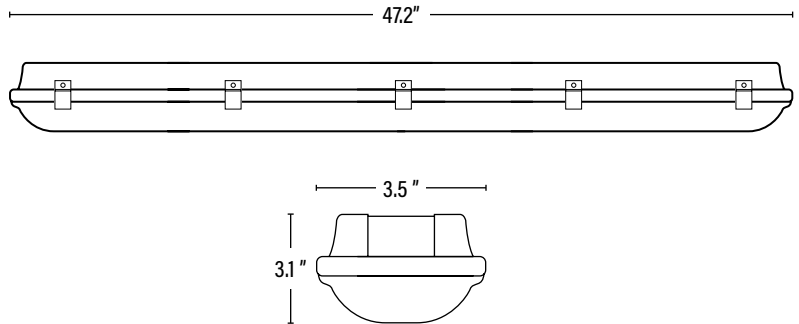
# LV4525 LT. COMMERCIAL • 5YR LED 48" VAPOR TIGHT



ITEM INFORMATION

### DIMENSIONS (Inches)

|                |       |
|----------------|-------|
| Length         | 47.2" |
| Width/Diameter | 3.5"  |
| Height         | 3.1"  |
| Weight (Lbs)   | 4.4   |



### PACKAGING

|                   |              | UPC            | DIMENSIONS (LxWxH)  | GROSS WEIGHT (Lbs) |
|-------------------|--------------|----------------|---------------------|--------------------|
| Master Carton     | 4            | 10811768023562 | 49.5" x 8.5" x 7.1" | 24.1               |
| Individual Box    | 1            | 811768023565   | --                  | 6                  |
| Country of Origin | China        |                |                     |                    |
| HS Tariff         | 9405.10.6020 |                |                     |                    |

### ORDERING

| ITEM#  | DESCRIPTION  | CASE |
|--------|--|------|
| LV4525 | LED VAPOR TIGHT 48" 52W/50K/FR LENS/120-277V/DIMMABLE/V2 | 4    |

Manufactured by P.Q.L., Inc. - Manufacturer Model # 55378

### ACCESSORIES

|        |  |   |
|--------|--|---|
| LF3502 | EMERGENCY PACK FOR LED FIXTURE 16W/90 MIN/SPLIT TYPE/L (For use with drivers that are 100W or less.) | 1 |
|--------|--|---|